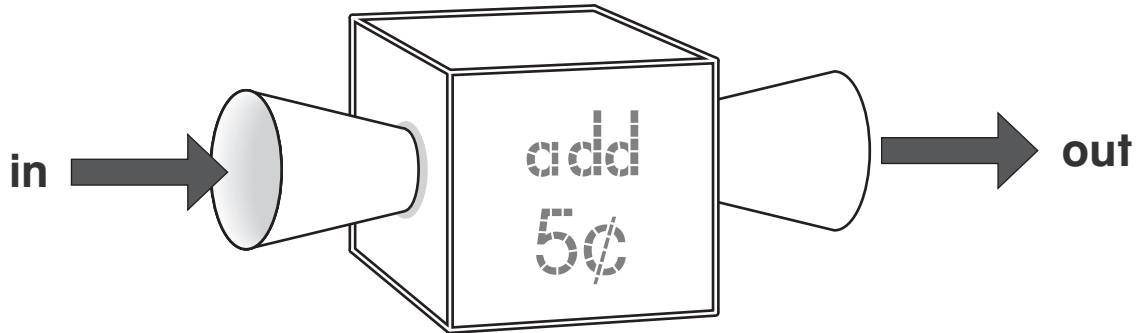


Completing Input/Output Tables

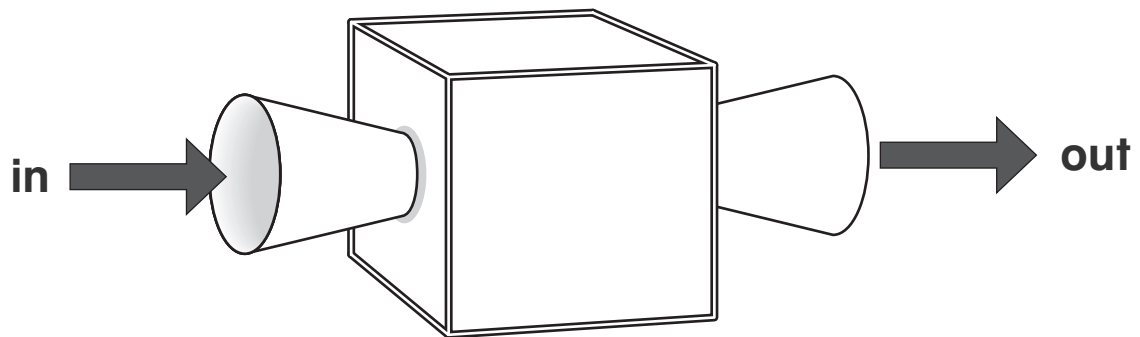
Find a rule. Complete the table.

1.



in	50¢	10¢	45¢			30¢	65¢
out	55¢	15¢	50¢	25¢	80¢		

2.



in	9	4	10	14		12	8
out	5	0	6		2		