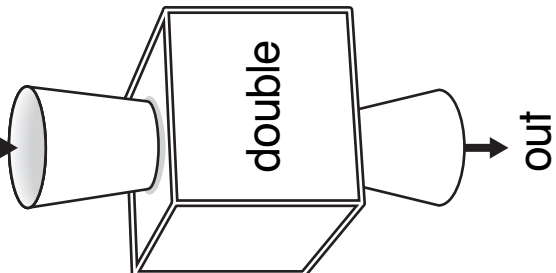
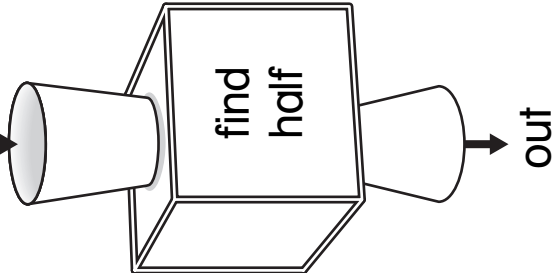
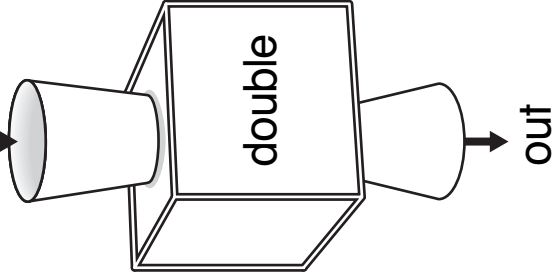
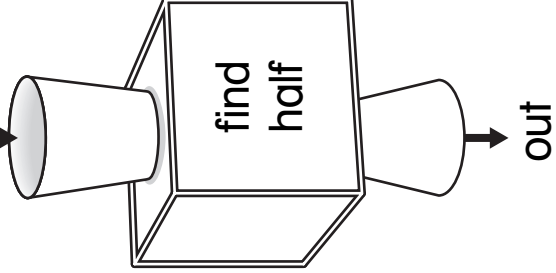
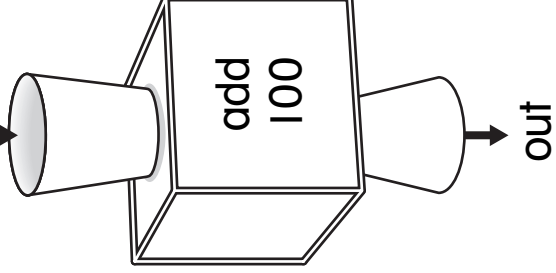
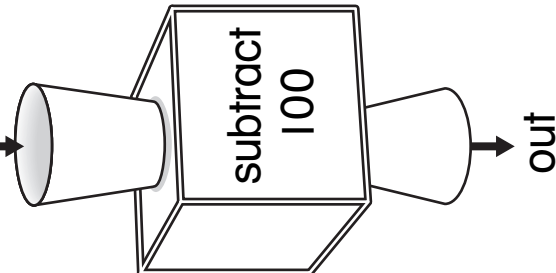
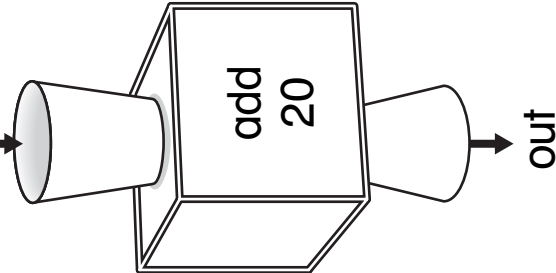
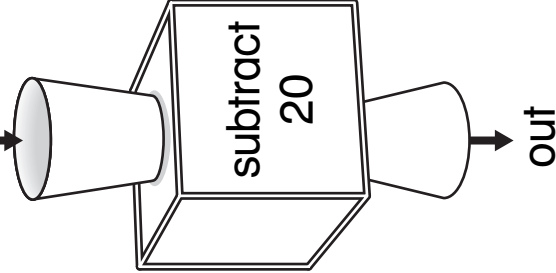
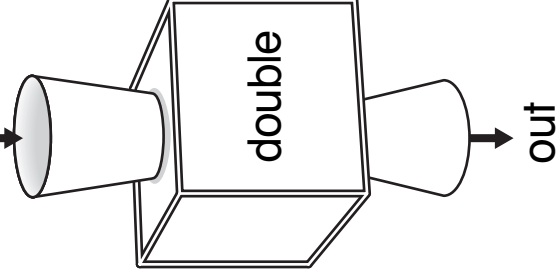
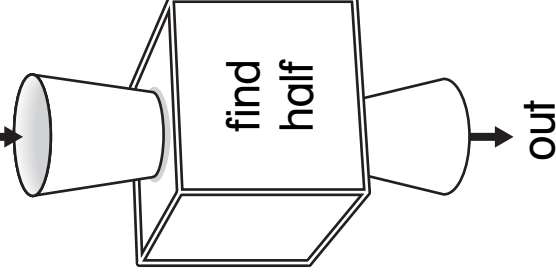


Rule Cards III

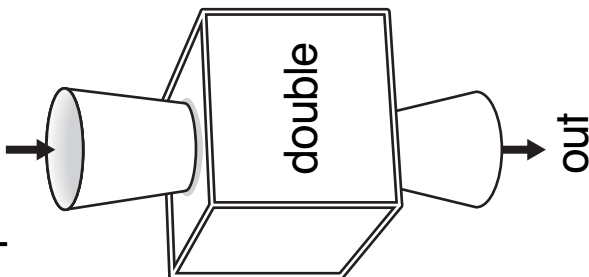
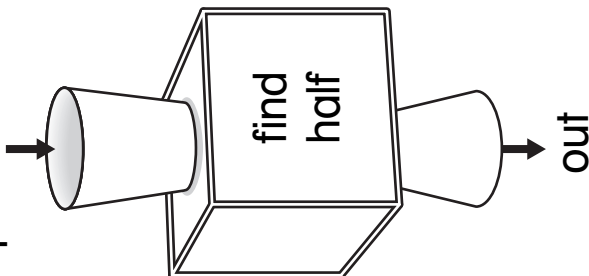
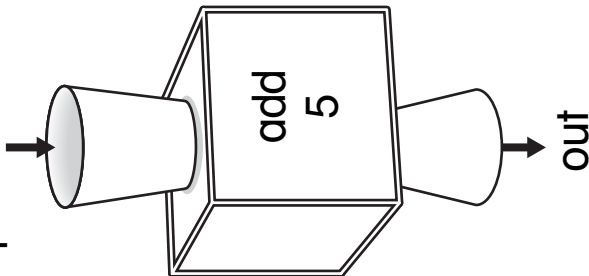
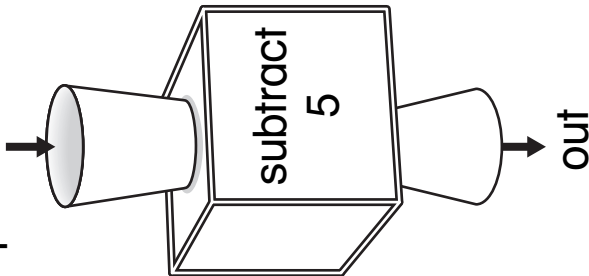
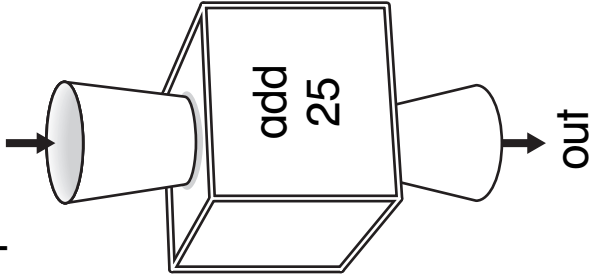


<p>Input a number. Input a number. Input a number.</p>  <p>double</p> <p>out</p>	<p>Input a number. Input a number. Input a number.</p>  <p>find half</p> <p>out</p>	<p>Input a number. Input a number. Input a number.</p>  <p>double</p> <p>out</p>	<p>Input a number. Input a number. Input a number.</p>  <p>find half</p> <p>out</p>	<p>Input a number. Input a number. Input a number.</p>  <p>add 100</p> <p>out</p>
<p>Input a number. Input a number. Input a number.</p>  <p>subtract 100</p> <p>out</p>	<p>Input a number. Input a number. Input a number.</p>  <p>add 20</p> <p>out</p>	<p>Input a number. Input a number. Input a number.</p>  <p>subtract 20</p> <p>out</p>	<p>Input a number. Input a number. Input a number.</p>  <p>double</p> <p>out</p>	<p>Input a number. Input a number. Input a number.</p>  <p>find half</p> <p>out</p>

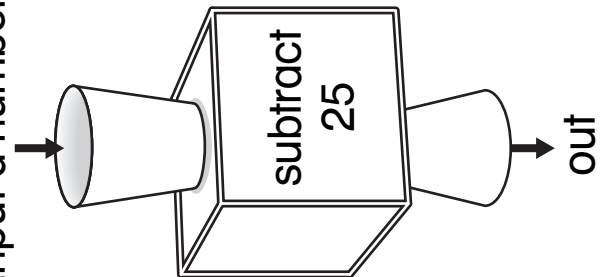
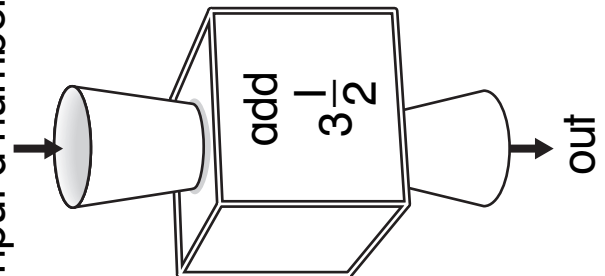
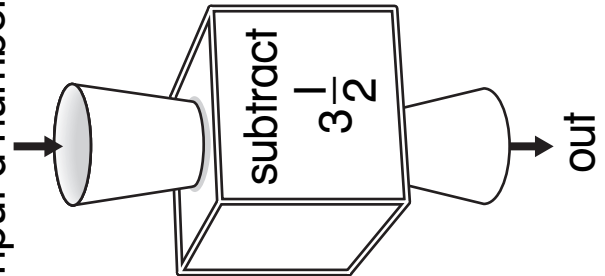
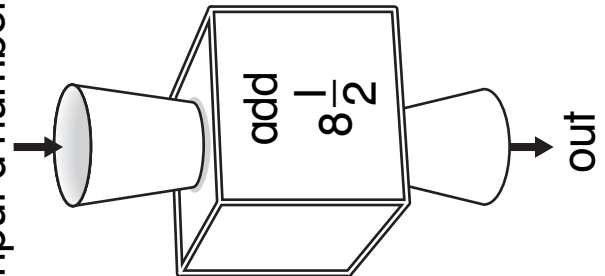
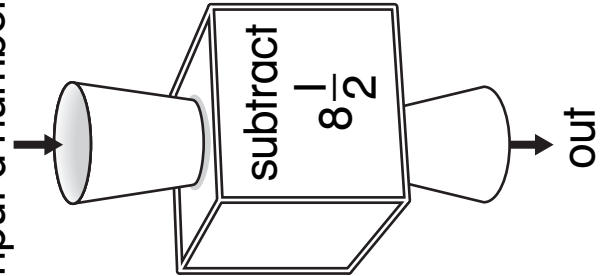
Rule Cards IV



Input a number. Input a number. Input a number. Input a number. Input a number.



Input a number. Input a number. Input a number. Input a number. Input a number.



Rule Cards V

Input a number. Input a number. Input a number. Input a number. Input a number.

add 16

subtract 16

double

find half

add 50

out

out

out

out

out

Input a number. Input a number. Input a number. Input a number. Input a number.

subtract 50

add 13

subtract 13

double

find half

out

out

out

out

out