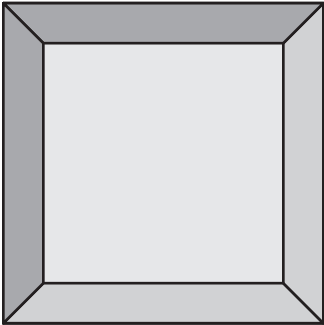
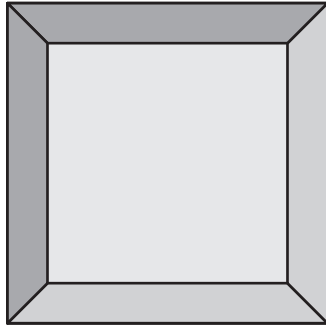


Making 10, Adding 10

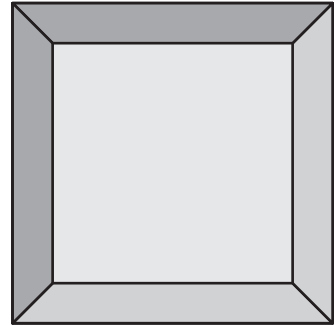
Find 10 more ways to place 10 counters in 3 boxes.
Write a number sentence to describe each way.



A



B



C

Box A	Box B	Box C	Number Sentence
3	0	7	$3 + 0 + 7 = 10$