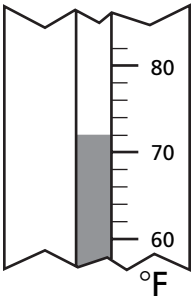
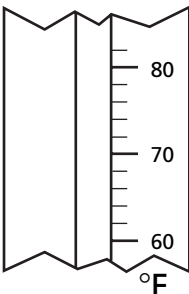
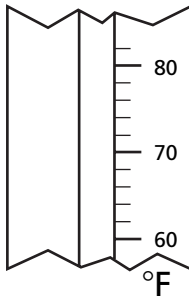


Measuring Temperature

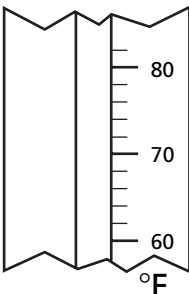
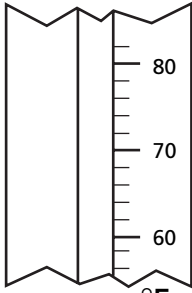
Fill in the missing temperature. Shade the thermometer to match.

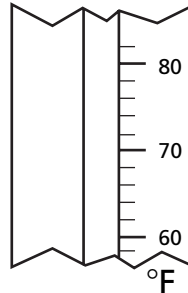
1  $^{\circ}\text{F}$

\square $^{\circ}\text{F}$ $\xrightarrow{10^{\circ}\text{F cooler}}$ \square $^{\circ}\text{F}$ $\xrightarrow{6^{\circ}\text{F warmer}}$ **3**  $^{\circ}\text{F}$

2  $^{\circ}\text{F}$

\square $^{\circ}\text{F}$ $\xrightarrow{12^{\circ}\text{F warmer}}$ \square $^{\circ}\text{F}$

4  $^{\circ}\text{F}$ $\xrightarrow{22^{\circ}\text{F cooler}}$ **5**  $^{\circ}\text{F}$

\square $^{\circ}\text{F}$ $\xrightarrow{\square^{\circ}\text{F warmer}}$ **6**  $^{\circ}\text{F}$

\square $^{\circ}\text{F}$ $\xrightarrow{\square^{\circ}\text{F warmer}}$ 72 $^{\circ}\text{F}$