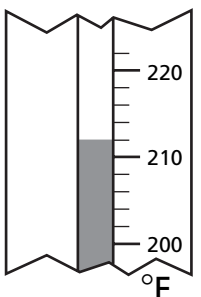


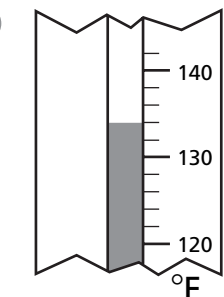
# Analyzing Temperature Data

Fill in the missing numbers and shading.

**1**   °F cooler

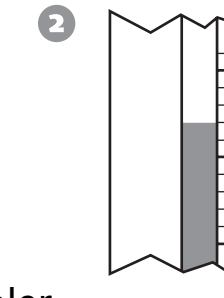
°F

the boiling point of water

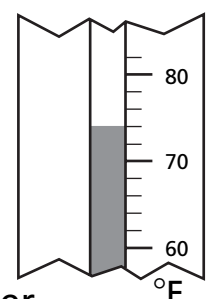
**2**   °F cooler

°F

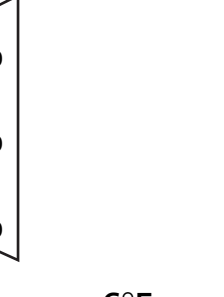
°F cooler

**5**   °F cooler

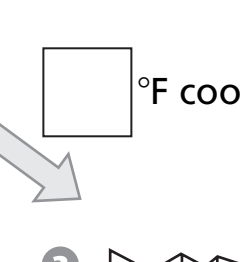
°F

**4**   °F cooler

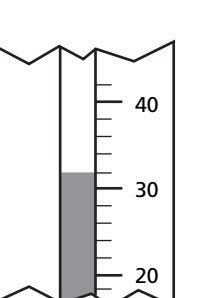
°F

**3**   °F cooler

°F

°F cooler **6**   °F

°F

**7**   °F cooler

°F

6° cooler

°F

the freezing point of water

© Education Development Center, Inc.