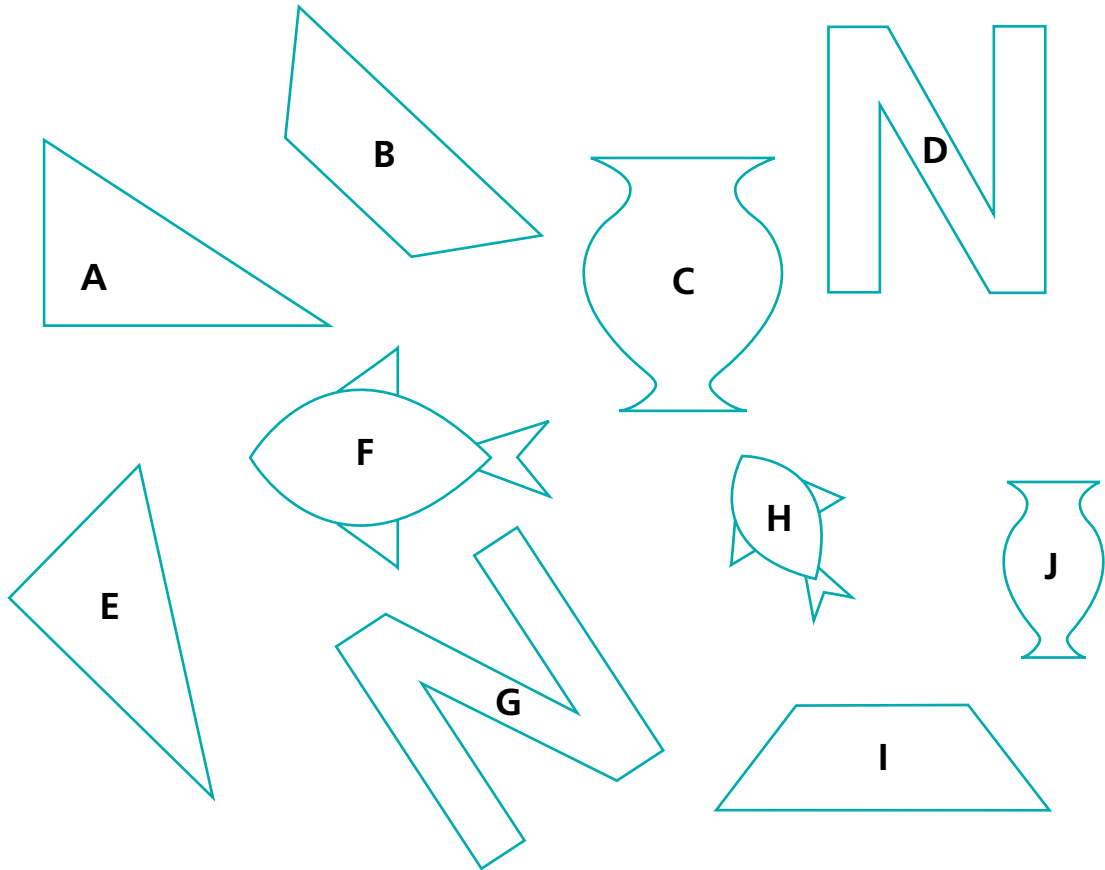


# Working with Lines of Symmetry

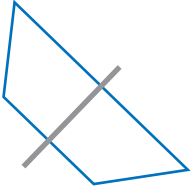


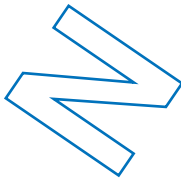
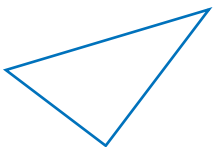
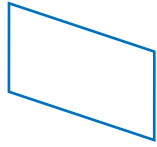


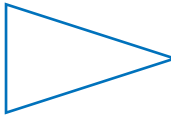

NCTM Standards 3, 6, 7, 8, 9, 10

**For 1 to 5, use the lettered figures below.**

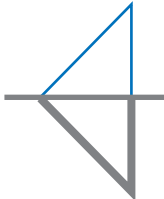

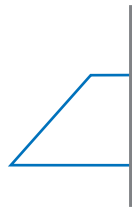
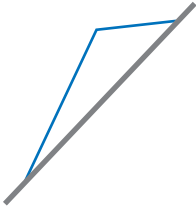
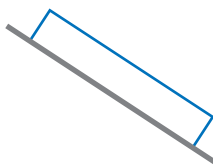
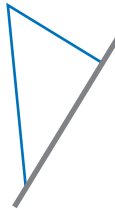


- 1 Which figures have at least 1 line of symmetry? \_\_\_\_\_
- 2 Which pairs of figures are congruent?  
 \_\_\_\_\_ and \_\_\_\_\_    \_\_\_\_\_ and \_\_\_\_\_    \_\_\_\_\_ and \_\_\_\_\_
- 3 Which figures are quadrilaterals? \_\_\_\_\_
- 4 Which figures have at least 1 right angle? \_\_\_\_\_
- 5 Which figures have parallel lines? \_\_\_\_\_

Draw a line to show where each figure could be folded so that both parts match exactly. If the figure does not have a line of symmetry, leave it blank.

<p>6</p> 	<p>7</p> 	<p>8</p> 	<p>9</p> 	<p>10</p> 
<p>11</p> 	<p>12</p> 	<p>13</p> 	<p>14</p> 	<p>15</p> 

Only part of each figure is drawn. Complete each figure so that the gray line is a line of symmetry. Label each completed figure *triangle*, *quadrilateral*, or *pentagon*.

<p>16</p>  <p>_____</p>	<p>17</p>  <p>_____</p>	<p>18</p>  <p>_____</p>
<p>19</p>  <p>_____</p>	<p>20</p>  <p>_____</p>	<p>21</p>  <p>_____</p>

**22 Challenge** What figures can you make by placing a mirror in different positions on the capital letter M? Draw two or three you discovered.