
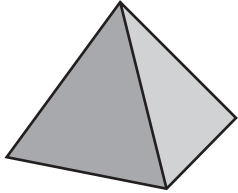

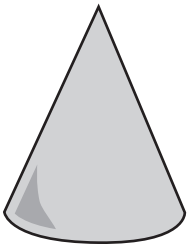

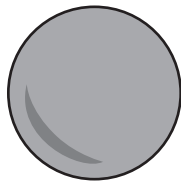


# Figure Safari

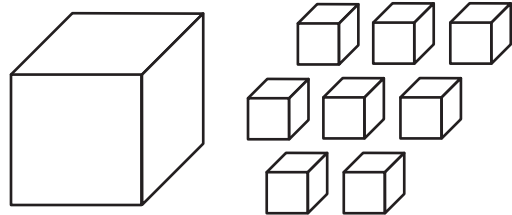
Label the three-dimensional figures *pyramid*, *prism*, *cone*, *cylinder*, or *sphere*.

<p>1</p>  <p>_____</p>	<p>2</p>  <p>_____</p>	<p>3</p>  <p>_____</p>
<p>4</p>  <p>_____</p>	<p>5</p>  <p>_____</p>	<p>6</p>  <p>_____</p>



## Test Prep

7 You have 8 small unit cubes. Explain how you could use them to find the volume of the box in cubic units.



\_\_\_\_\_

\_\_\_\_\_

\_\_\_\_\_

\_\_\_\_\_