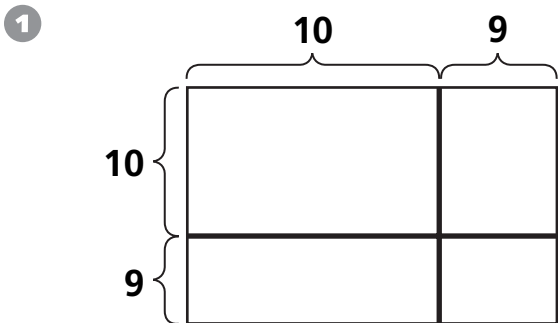
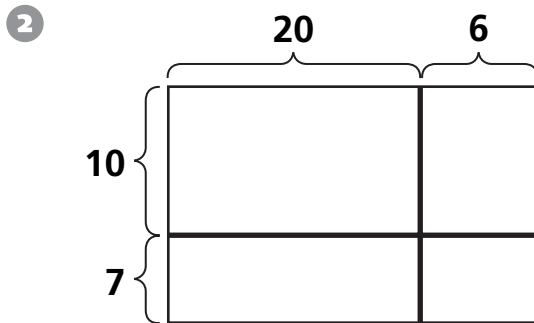


Separating Large Arrays

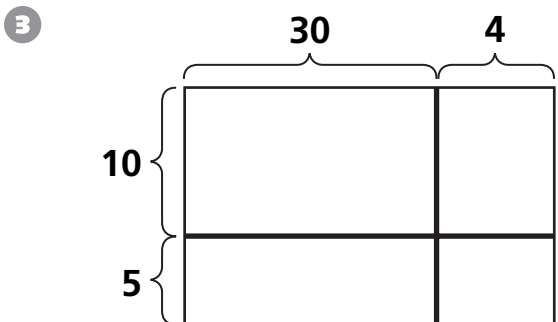
Complete the diagram and find the product.



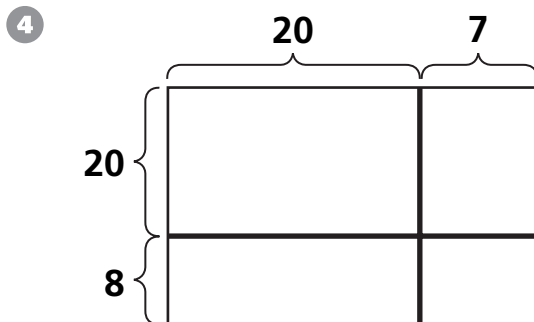
$$19 \times 19 = \underline{\hspace{2cm}}$$



$$26 \times 17 = \underline{\hspace{2cm}}$$



$$34 \times 15 = \underline{\hspace{2cm}}$$



$$27 \times 28 = \underline{\hspace{2cm}}$$



Test Prep

5 Sloane wants to share her stickers with her family. She has 40 stickers. She gives 8 stickers to her sister, 5 stickers to her brother, and 6 stickers to her mother. She puts 1 sticker on her cat's collar. What fraction represents Sloane's remaining stickers? Explain how you know.
