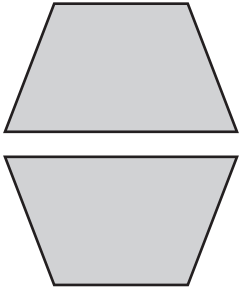
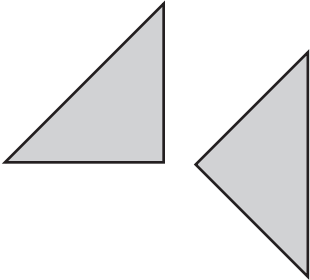
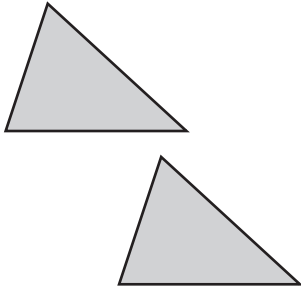
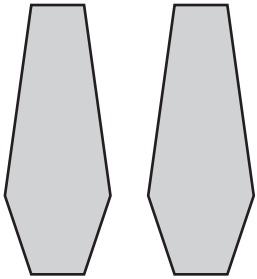
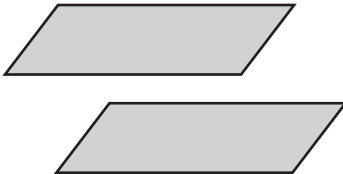
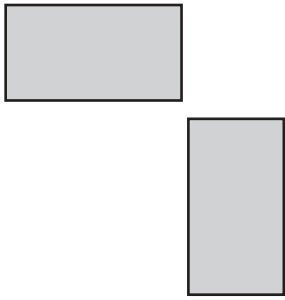


Geometry

Tell how each figure was moved. Write *slide*, *flip*, or *turn*. If more than one way is possible, write only one way.

<p>1</p>  <p>_____</p>	<p>2</p>  <p>_____</p>	<p>3</p>  <p>_____</p>
<p>4</p>  <p>_____</p>	<p>5</p>  <p>_____</p>	<p>6</p>  <p>_____</p>

Problem Solving

Use a strategy and solve.

- 7** In class, Robby sits 3 rows in front of Jason. Jason sits 2 rows behind Mickey. Mickey sits 4 rows in front of Kate. How many rows are between Robby and Kate? _____
-
- 8** Tony and Felicia are playing tic-tac-toe. The columns of the board are labeled A, B, C. The rows are labeled 1, 2, 3. Tony has Xs in (A,2), (A,3), (B,3), and (C,1). Felicia has Os in (A,1), (B,2), and (C,2). It is Felicia's turn. In which box should she place an O to win the game? _____