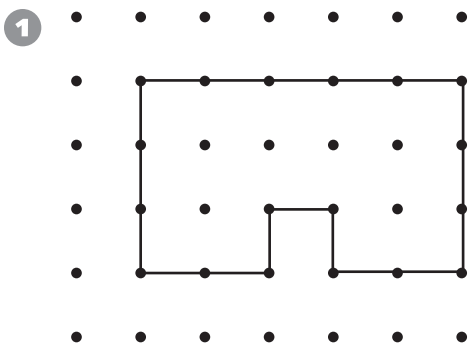
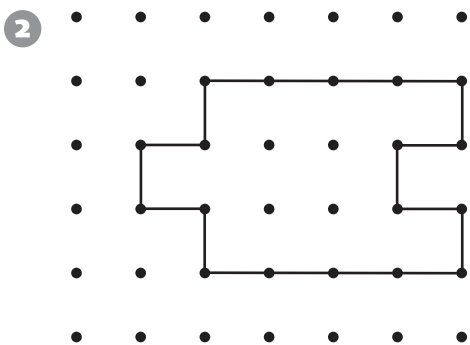
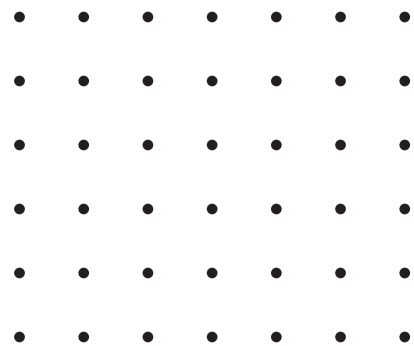


# Introducing Perimeter

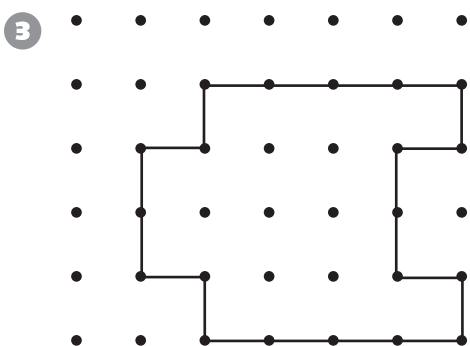
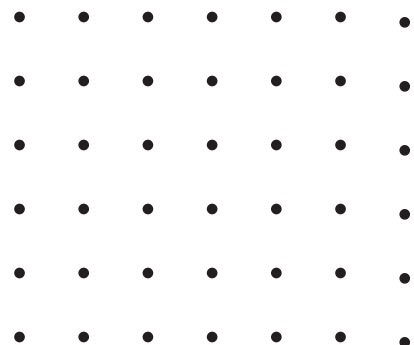
For each figure, draw another figure that meets the given condition.



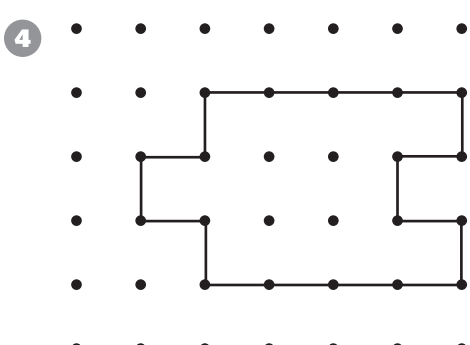
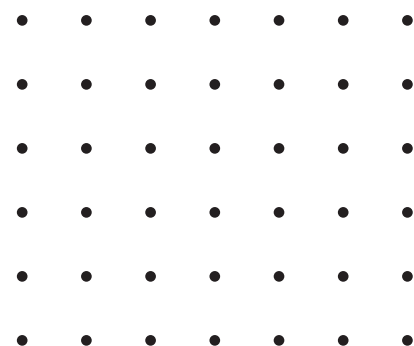
Draw a figure that has a larger area but a smaller perimeter.



Draw a figure that has the same perimeter but a smaller area.



Draw a figure that has the same perimeter but a larger area.



Draw a figure that has the same area but a larger perimeter.

