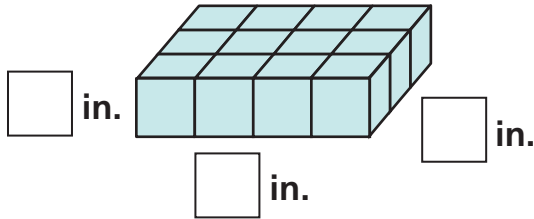


More Volumes of Three-Dimensional Figures

NCTM Standards 1, 3, 4, 6, 7, 8, 9, 10

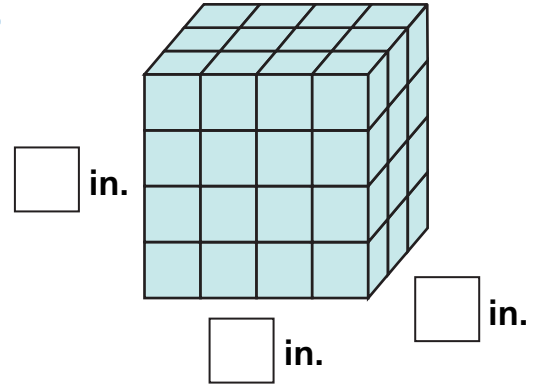
What is the volume of each three-dimensional figure? Each cube is 1 cubic inch.

1



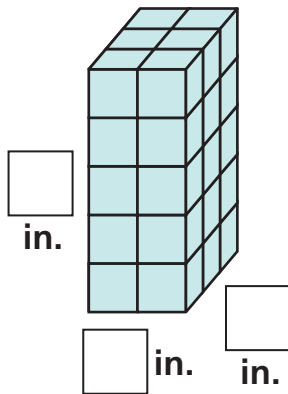
Volume: _____ cubic inches

2



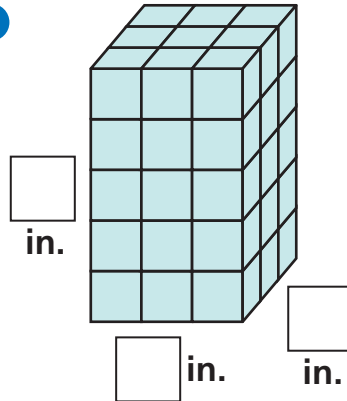
Volume: _____ cubic inches

3



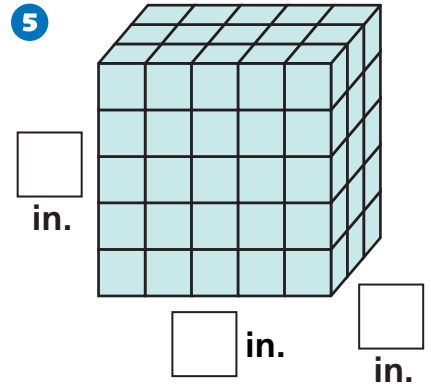
Volume:
_____ cubic inches

4



Volume:
_____ cubic inches

5



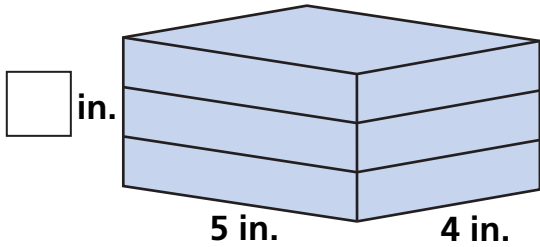
Volume:
_____ cubic inches



6 Explain how you found the volume of the figure in Problem 5.

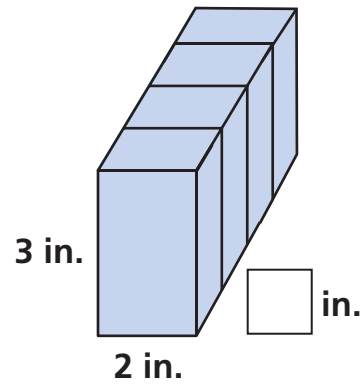
Find the volumes of these rectangular prisms in cubic inches.

7



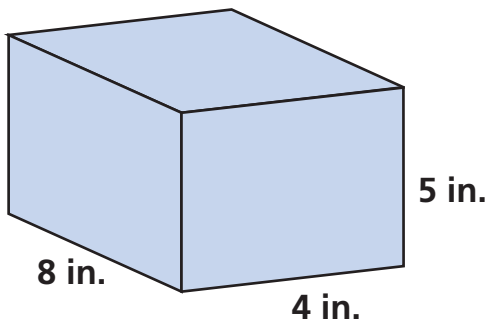
Volume: _____ cubic inches

8



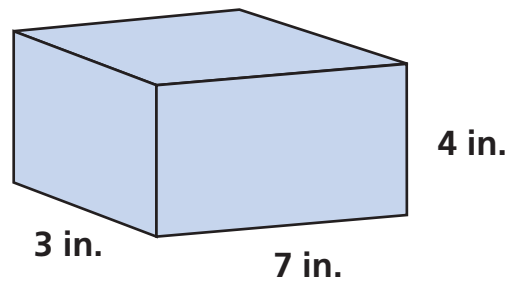
Volume: _____ cubic inches

9



Volume: _____ cubic inches

10



Volume: _____ cubic inches

11 Challenge Think of a prism with a volume of 30 cubic inches. What are the dimensions of the prism you thought of?

in. \times in. \times in.