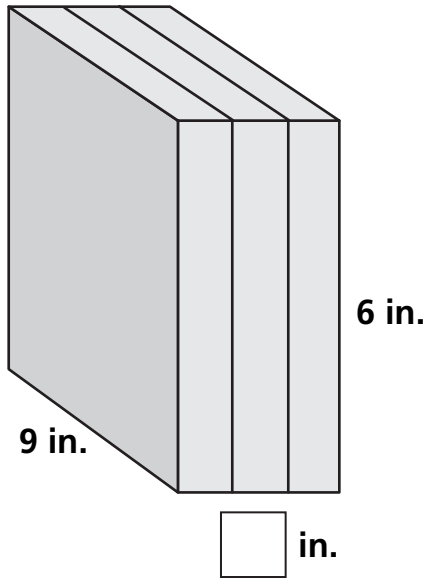


More Volumes of Three-Dimensional Figures

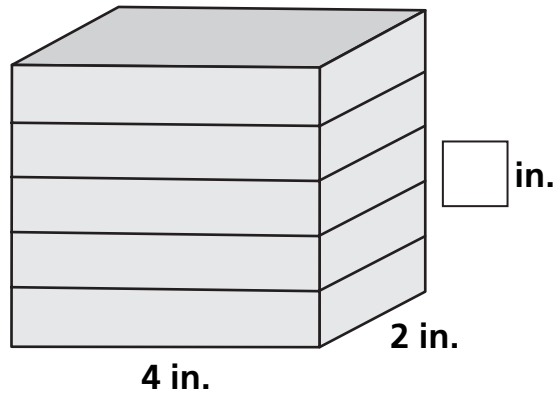
Find the volumes of these rectangular prisms in cubic inches.

1



Volume: _____ cubic inches

2



Volume: _____ cubic inches

3 What is the volume of a 1 in. \times 8 in. \times 7 in. prism? _____ cubic inches

4 What is the volume of a 2 in. \times 6 in. \times 9 in. prism? _____ cubic inches

5 What is the volume of a 4 in. \times 2 in. \times 11 in. prism? _____ cubic inches



Test Prep

- 6 Which unit would best measure the mass of a bug?
- A. kilograms C. grams
B. millimeters D. centimeters

- 7 Which is longer, 1 meter or 50 centimeters? Explain.
- _____
- _____