

**Number and Operations****Find the difference.**

$$\begin{array}{r} \textcircled{1} \quad 361 \\ -174 \\ \hline \square \end{array}$$

$$\begin{array}{r} \textcircled{2} \quad 402 \\ -226 \\ \hline \square \end{array}$$

$$\begin{array}{r} \textcircled{3} \quad 554 \\ -108 \\ \hline \square \end{array}$$

$$\begin{array}{r} \textcircled{4} \quad 1,325 \\ -1,018 \\ \hline \square \end{array}$$

$$\begin{array}{r} \textcircled{5} \quad 2,108 \\ -1,593 \\ \hline \square \end{array}$$

$$\begin{array}{r} \textcircled{6} \quad 793 \\ -607 \\ \hline \square \end{array}$$

$$\begin{array}{r} \textcircled{7} \quad 914 \\ -492 \\ \hline \square \end{array}$$

$$\begin{array}{r} \textcircled{8} \quad 2,668 \\ -1,812 \\ \hline \square \end{array}$$

$$\begin{array}{r} \textcircled{9} \quad 6,219 \\ -5,185 \\ \hline \square \end{array}$$

$$\begin{array}{r} \textcircled{10} \quad 7,931 \\ -5,893 \\ \hline \square \end{array}$$

$$\begin{array}{r} \textcircled{11} \quad 1,004 \\ -587 \\ \hline \square \end{array}$$

$$\begin{array}{r} \textcircled{12} \quad 5,030 \\ -2,681 \\ \hline \square \end{array}$$

$$\textcircled{13} \quad 800 - 219 = \underline{\hspace{2cm}}$$

$$\textcircled{14} \quad 9,005 - 7,672 = \underline{\hspace{2cm}}$$

**Measurement****Use the starting time and the time interval to find the ending time.**

$\textcircled{15}$  Start doing homework at 4:00 P.M.  
Work for 1 hour 15 minutes.

\_\_\_\_\_

$\textcircled{16}$  Start walking to school at 7:50 A.M.  
Walk for 25 minutes.

\_\_\_\_\_

$\textcircled{17}$  Start playing basketball at 3:55 P.M.  
Play for 1 hour 30 minutes.

\_\_\_\_\_

$\textcircled{18}$  Start trip to grandmother's house  
at 8:10 A.M. Travel for 2 hours  
45 minutes.

\_\_\_\_\_

$\textcircled{19}$  Start working in the garden at  
10:35 A.M. Work for 3 hours 10 minutes.



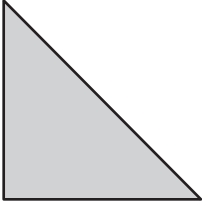
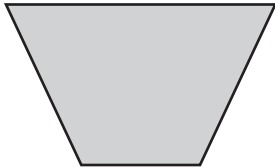
\_\_\_\_\_

$\textcircled{20}$  Start walking home from school at  
3:55 P.M. Walk for 22 minutes.

\_\_\_\_\_

## Geometry

**Write the number of pairs of parallel sides and the number of right angles.**

<p><b>1</b></p> <div style="text-align: center;"></div> <p>Pairs of parallel sides <input style="width: 30px; height: 25px;" type="text"/></p> <p>Right angles <input style="width: 30px; height: 25px;" type="text"/></p>	<p><b>2</b></p> <div style="text-align: center;"></div> <p>Pairs of parallel sides <input style="width: 30px; height: 25px;" type="text"/></p> <p>Right angles <input style="width: 30px; height: 25px;" type="text"/></p>
<p><b>3</b></p> <div style="text-align: center;"></div> <p>Pairs of parallel sides <input style="width: 30px; height: 25px;" type="text"/></p> <p>Right angles <input style="width: 30px; height: 25px;" type="text"/></p>	<p><b>4</b></p> <div style="text-align: center;"></div> <p>Pairs of parallel sides <input style="width: 30px; height: 25px;" type="text"/></p> <p>Right angles <input style="width: 30px; height: 25px;" type="text"/></p>

## Problem Solving

**Solve the problem. Explain your answer.**

- 5** Ryan gets on the elevator at the ground floor, which is numbered 0. He rides up 7 floors, down 3, up 2, down 1, and, up 5. On which floor does he get off the elevator?

---

---

---

---

---

---

---

---