

Number and Operations

Write the value of the underlined digit.

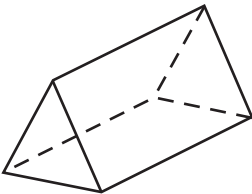
- 1 594,305 _____
- 2 83,912 _____
- 3 708,346 _____
- 4 992,025 _____
- 5 4,032,669 _____

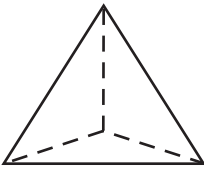
Write the number described.

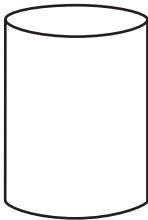
- 6 10,000 more than 305,018 _____
- 7 100,000 less than 1,823,208 _____
- 8 1,000 more than 992,745 _____
- 9 1,000,000 less than 3,049,627 _____
- 10 100,000 more than 971,307 _____
- 11 10,000 less than 230,475 _____
- 12 100,000 less than 1,032,308 _____

Geometry

Write *prism* or *pyramid* to describe the figure. If the figure is neither a prism nor a pyramid, write *neither*.

13  _____

14  _____

15  _____