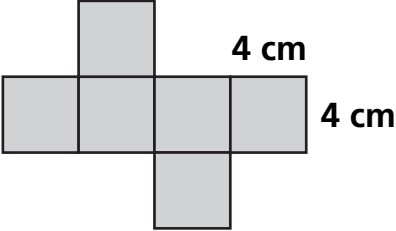


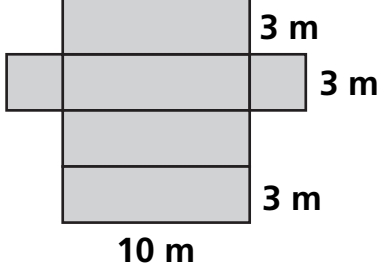
Geometry

Find the area of each face of the figure. Then add the areas to find the total area.

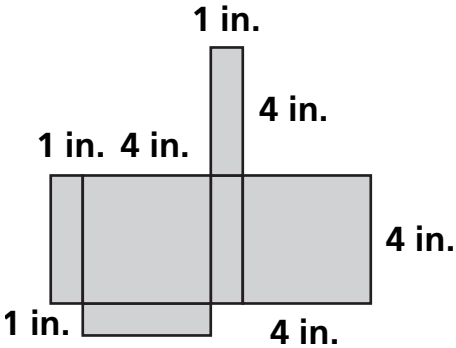
1 

Area of each face = _____ cm²

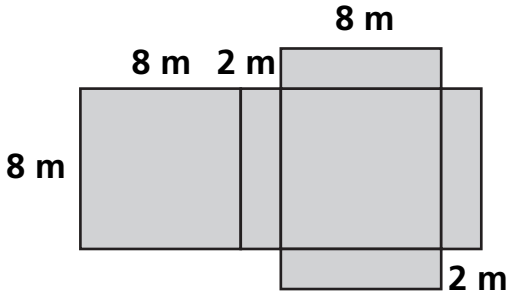
Total area = _____ cm²

2 

Total area = _____

3 

Total area = _____

4 

Total area = _____

Measurement

Measure the line with the Cuisenaire® Rod named. Then write the length of the line in centimeters.

5 white cm

6 purple cm

7 yellow cm
