
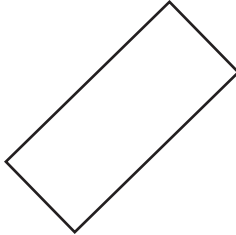

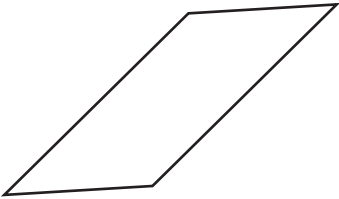
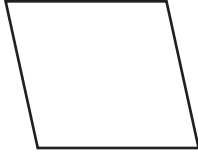
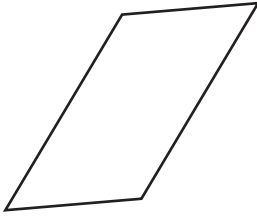


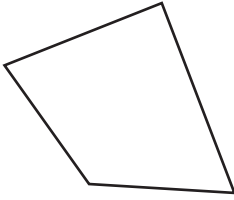
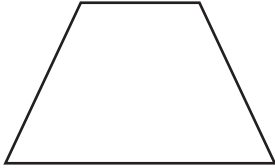
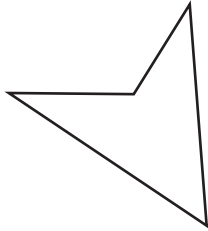
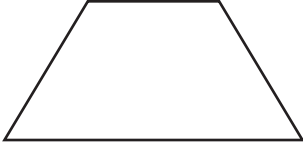
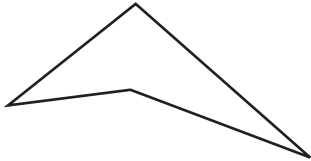
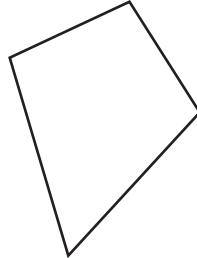
Sorting Quadrilaterals: Parallelograms

All of these belong: Parallelograms



None of these belong.

Sorting Quadrilaterals: Trapezoids

All of these belong: Trapezoids

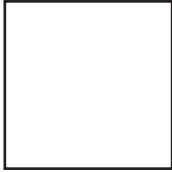

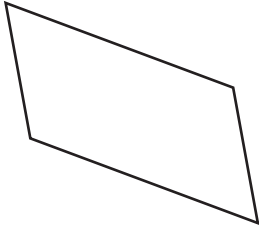
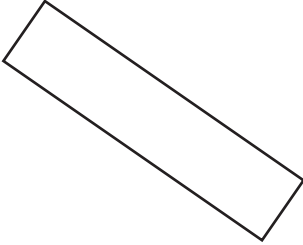

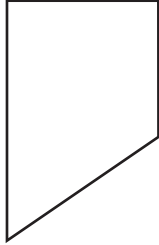


None of these belong.

Sorting Quadrilaterals: Parallel Sides

All of these belong: Parallel sides



None of these belong.

