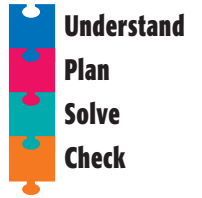


Problem Solving Strategy

Solve a Simpler Problem

NCTM Standards 1, 3, 4, 6, 7, 8, 9



Solve each problem.

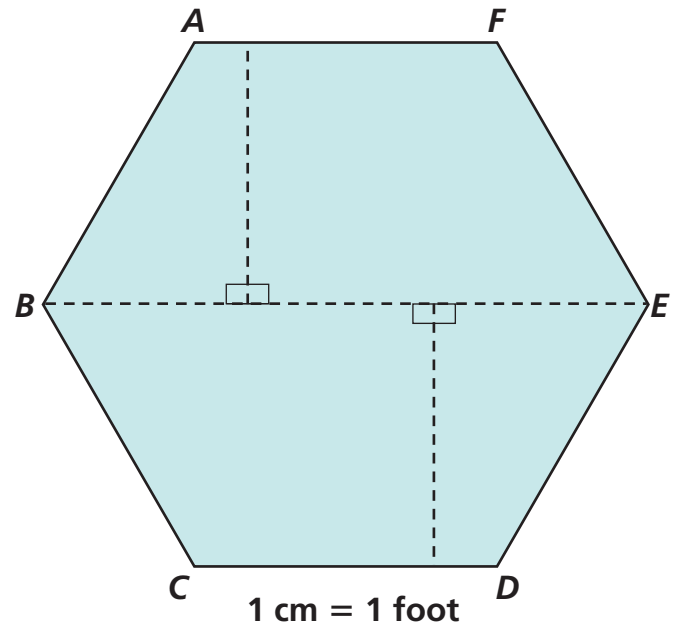
- 1 Here is a sketch of a cover for a hexagonal swimming pool. \overline{AF} , \overline{BE} , and \overline{CD} are parallel.

Use measurements to the nearest cm and use the scale to find the area of the cover.

Area _____

Find the perimeter of the outside edge of the pool.

Perimeter _____



- 2 Mr. Reynolds needed to order carpeting for a room. He made approximate measurements and drew this sketch to show the information he had.

Find the area of the rug.

Area _____

Find the perimeter of the edge of the rug.

Perimeter _____

