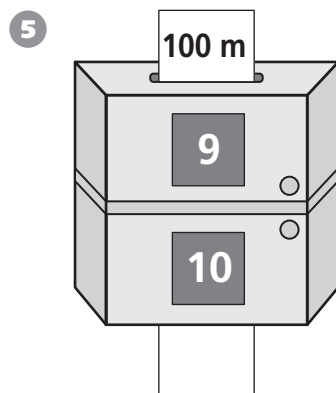
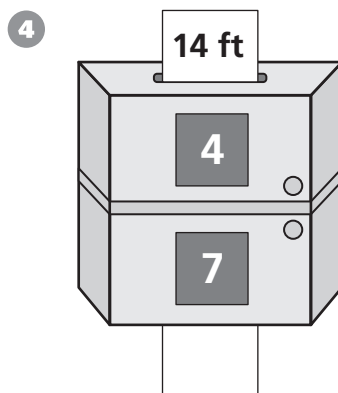
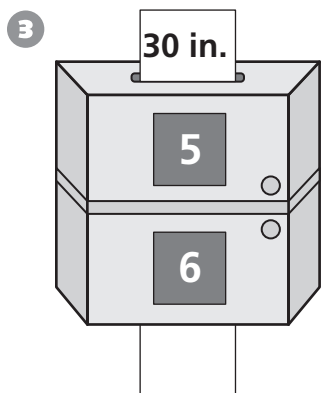
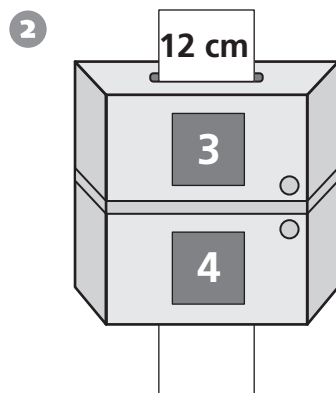
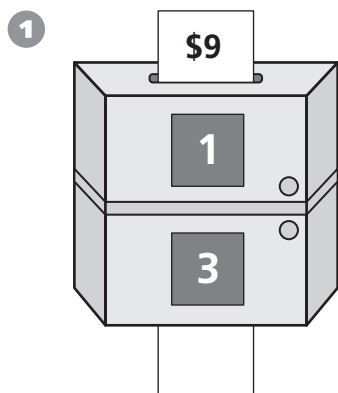
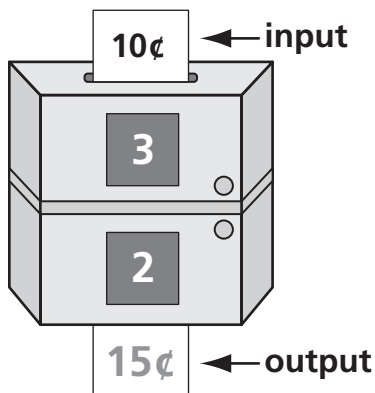


# Investigating the Result of Two Operations

Write the outputs.

Example:



## Test Prep

6. What are all the common factors of 24 and 36?  
 A. 1, 2, 4, 24, 36    B. 1, 2, 3, 6, 12    C. 1, 2, 3, 4, 12    D. 1, 2, 3, 4, 6, 12
7. Which group shows common multiples of 6 and 4?  
 A. 1, 6, 4, 12    B. 36, 12, 24    C. 1, 12, 18    D. 12, 18, 24, 36