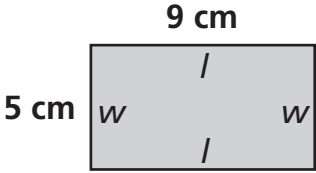


Measurement

Write a formula for the perimeter and area of each figure. Then find the perimeter and area using the formula.

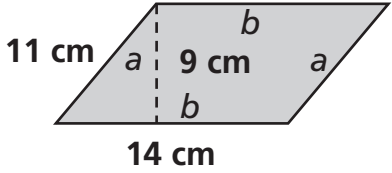
1



Perimeter = _____

Area = _____

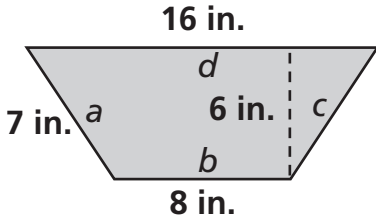
2



Perimeter = _____

Area = _____

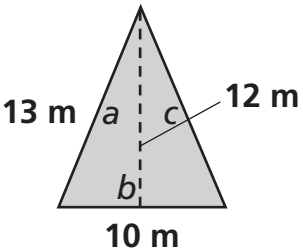
3



Perimeter = _____

Area = _____

4



Perimeter = _____

Area = _____

Problem Solving

Use a strategy and solve.

5 Darlene has some cookies. She can share them evenly with 1, 2, or 3 friends. What is the least number of cookies she has? _____

6 Isaiah did $\frac{1}{8}$ of his math homework problems right after school. He did $\frac{1}{3}$ of the remaining ones later, and the final 14 after dinner. How many problems did he have in all? _____